

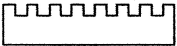
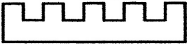


TROWELS AND COVERAGE

Floor Type	Trowel	Coverage
Multi-Ply Engineered Plank 3/8" up to 1/2" in thickness and up to a maximum of 3" wide	 TR-2 3/16" x 1/4" on 1/2" Centers V Notch	60 sq. feet/gal.
Multi-Ply Engineered Plank 9/16" and greater in thickness, 3/4" Solid Shorts and 3/4" Plain Back Parquet	 TR-4 1/4" x 1/4" x 1/4" Square Notch	35 sq. feet/gal.
Multi-Ply Engineered Plank 1/4" in thickness and 5/16" Plain Back Parquet	 TR-5 1/8" x 1/8" x 1/8" Square Notch	80 sq. feet/gal.
Multi-Ply Engineered Plank 3/8" up to 1/2" in thickness when greater than 3" wide	 TR-9 3/16" x 3/16" x 3/16" Square Notch	45 sq. feet/gal.